

# BUZ2 SHXDIVCTFF C SAFETOUCH Shower Range

Buzz2 Bar Shower  
with Telescopic Riser Kit



## Specification

Product Type:	Bar Mixer Shower
Main Construction Material:	Zinc Alloy; ABS
Connection Inlet:	1/2" Compression
Connection Outlet:	G1/2" & Riser Outlet
Number of Controls:	2
Flow Control Valve Type:	25mm Cartridge
Plumbing System:	Suitable for high pressure systems
Minimum Dynamic Pressure: (Bar)	1.0
Maximum Dynamic Pressure: (Bar)	5.0
Maximum Static Pressure: (Bar)	10
Maximum Hot Water Temperature: (°C)	65
Pre-set Outlet Temperature: (°C)	38
Isolation Included:	Yes
Check Valve Supplied:	Yes
Shower Kit:	Adjustable Rigid Riser Shower Kit

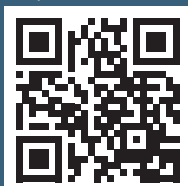
## Features:

- Unique Safe Touch technology ensures the bar valve stays cool to the touch while in use.
- Dual control - Flow and temperature are controlled separately giving accurate control of both.
- Factory set to a maximum of 38°C to eliminate the ability to select an unsafe temperature, can be adjusted up to a maximum of 43°C.
- Supplied with 1.5m hose, adjustable riser rail, hose retainer and multi-function handset with rub clean nozzles.
- Supplied with WMNT12 C isolation fast fit connections.

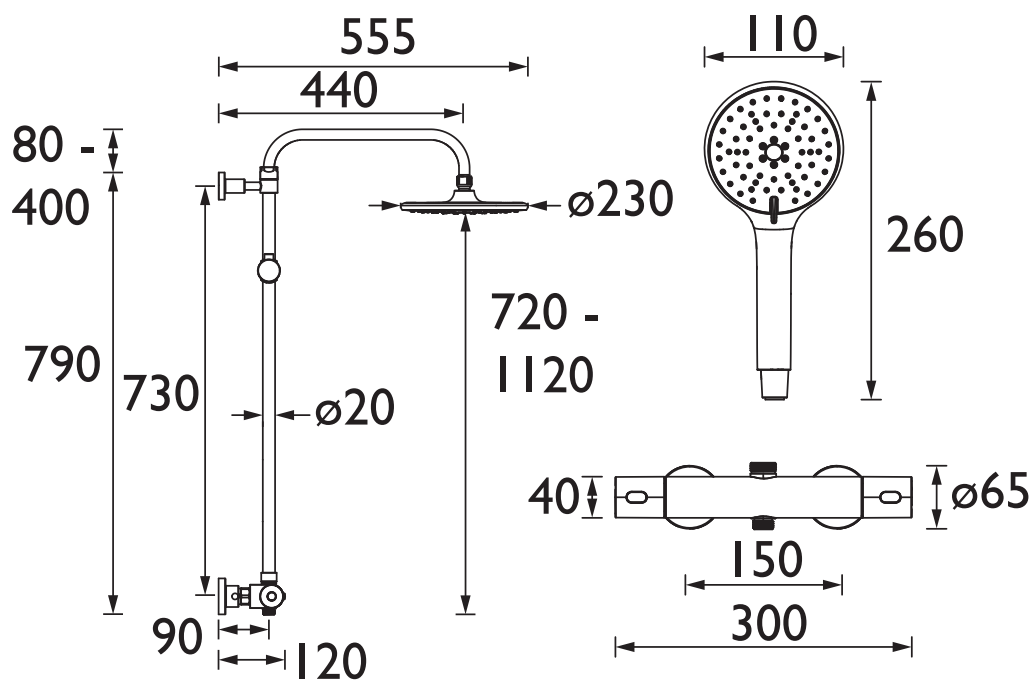
## Product Certifications:



For more products, visit our website:  
<http://www.bristan.com>



## Dimensions (measurements in mm)



## Flow Rates (l/min)

System Pressure (bar)	1	2	3	4	5
Through Handset (mixed)	5.5	7.8	9.6	10.8	12.4
Through Fixed Head (Mixed)	5.8	8.7	10.2	11.5	12.5

TECHNICAL  
DATA  
SHEET



**BRISTAN**

D7